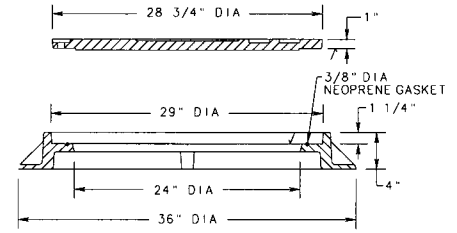


1935 FRAME & COVER

Heavy duty
 Machined bearing surfaces
 Watertite assembly
 Unit is supplied with
 2 brass cam locks
 Gasket seal

Options
 Accepts 1940 covers
 Special lettered covers



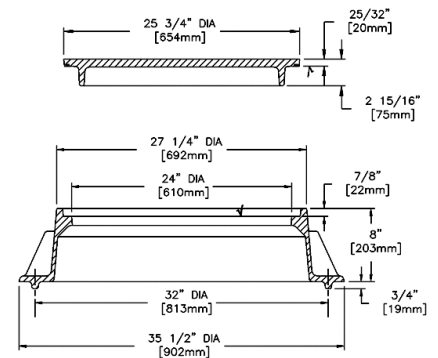
1936 FRAME & COVER

Heavy duty
 Machined bearing surfaces
 Special lettered covers

Options
 Accepts 1205 covers and grates
 Adjusting risers
 Stackable frames



Wichita standard



1936 Frame Sizes

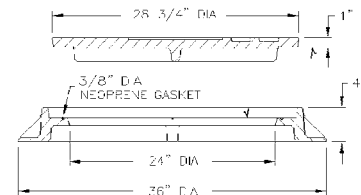
Catalog Number	Base Flange Diameter	Frame Height
1936Z1	35 1/2	8
1936Z2	51 1/2	8
1936Z4	35 1/4	4 1/4

Note: All dimensions are in inches.

1940 FRAME & COVER

Heavy duty
 Machined bearing surfaces
 Standard watertite unit
 supplied with 3/8" dia. gasket

Options
 Special lettered covers
 Accepts 1935 covers



Supplied By:



877-903-7246

www.trenchdrainsupply.com